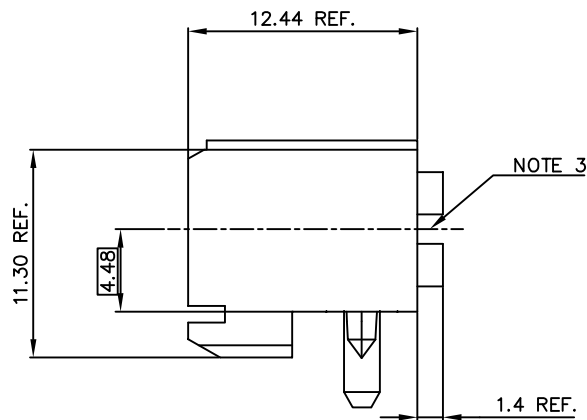
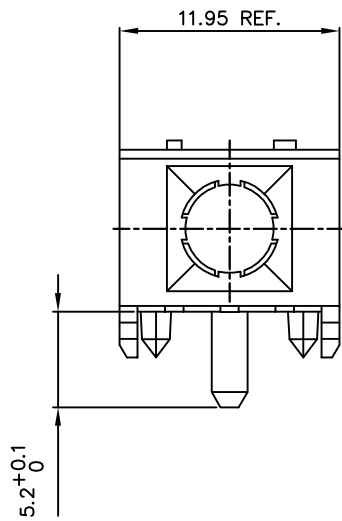
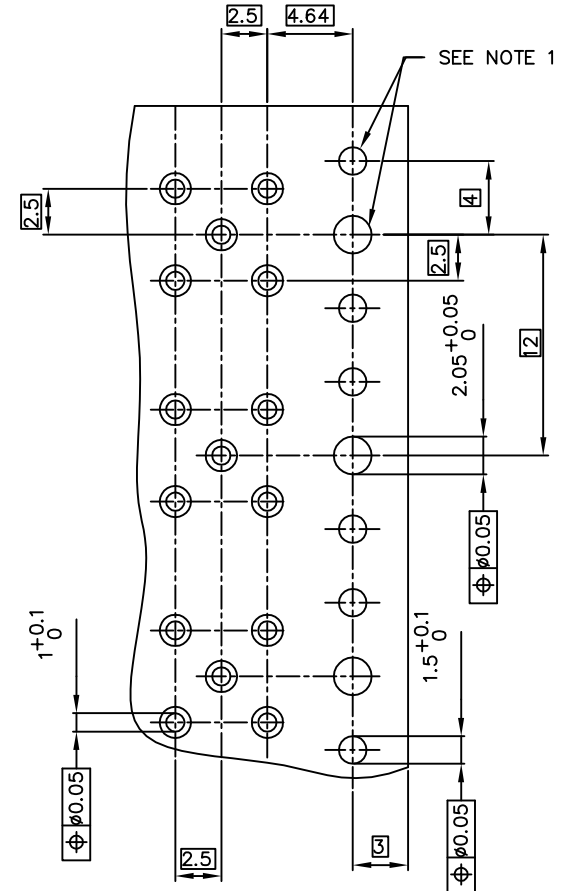
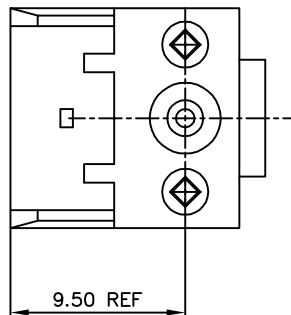
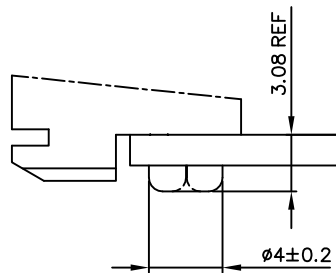


PRODUCT NR	PCB THICKNESS
70292-101LF	1.6 & 2.4



ASSEMBLY AFTER HOT RIVETTING.



RECOMMENDED HOLE PATTERN,  
COMPONENT SIDE.

NOTE:

- INDICATED HOLES ARE UNPLATED.
- MATERIAL: LIQUID CRYSTAL POLYMER 30% GLASS, FLAME RETARDANT ACC. UL 94-V0 COLOR NATURAL.
- SLOT OPTIONAL
- THIS PRODUCT WITH "LF" SUFFIX MEETS EUROPEAN UNIDIRECTIVES AND OTHER COUNTRY REGULATIONS AS DESCRIBED IN GS -22-008.
- THE HOUSING WILL WITHSTAND EXPOSURE TO 260 DEGREE PEAK TEMPERATURE FOR 10 SECONDS IN A WAVE SOLDER APPLICATION WITH A 1.6mm MINIMUM THICK CIRCUIT BOARD.

mat'l. code		tolerances unless otherwise specified		CUSTOMER COPY		ELECTRONICS	
SEE NOTE 2				F C I		www.fciconnect.com	
ltr	ecn no	dr	date	linear	projection	title	
H	005-0357	Clu	050927			R/A HOUSING RECEPTACLE COAX	
C	H20409	SLE	920809	angles		product family	ETRAL(tm)
D	H20570	DAN	920911	dr	D.Andrews	891212	code
E	H50663	RVI	951102	eng	P.Schalk	951102	213
F	H90490	HME	990816	chr	A.v.Zanten	891212	sheet
G	V00285	LLA	000217	app	H.v.Woensel	891212	1 of 1
sheet	revision	H					
Indx	sheet	1					

PDM: Rev.H

STATUS: Released

Printed: Nov 29, 2007